



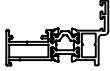
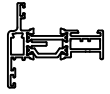
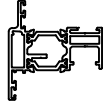
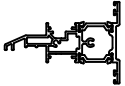
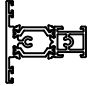
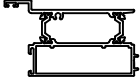
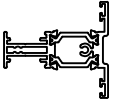


**LANA ALUMINIUM**

# Heritage Technical Manual



**Heritage Windows & Doors**

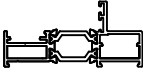


<u>Item Number</u>	<u>Picture</u>	<u>Page</u>	<u>Perimeter mm</u>	<u>Weight kg</u>	<u>Length</u>	<u>MF</u>	<u>KL</u>
LAH01		A.7	217	4.97	6.5	Y	Y
LAH111		A.7	263	5.68	6.5	Y	Y
LAH121		A.8	305	7.03	6.5	Y	Y
LAH312		A.8	370	9.11	6.5	Y	Y
LAH321		A.9	254	6.36	6.5	Y	Y
LAH322		A.9	328	9.37	6.5	Y	Y
LAH311		A.10	283	5.85	6.5	Y	Y
LAH-BB		A.10	273	11.53	6.5	Y	Y
LAH221		A.11	132	1.23	6.5	Y	Y

MF = Mill Finish  
KL = Basic Colour

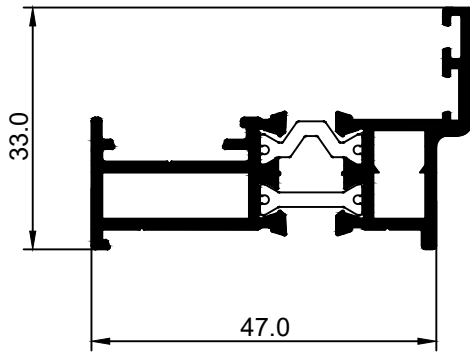
<u>Item Number</u>	<u>Picture</u>	<u>Page</u>	<u>Perimeter mm</u>	<u>Weight kg</u>	<u>Length</u>	<u>MF</u>	<u>KL</u>
LAH211		A.11	77	0.93	6.5	Y	Y
LAH422		A.11	216	6.01	6.5	Y	Y
LAH421		A.12	279	8.10	6.5	Y	Y
LAHCP2		A.12	199	5.93	6.5	Y	N
LAHCP1		A.12	291	7.92	6.5	Y	N
LAH066		A.13	130	3.13	6.5	Y	Y
LAH065		A.13	62	0.72	6.5	Y	Y
LAH069		A.13	264	8.90	6.5	Y	Y

MF = Mill Finish KL = Basic Colour
---------------------------------------

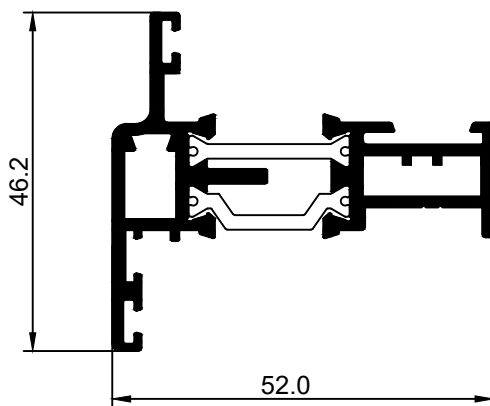
LAH02  A.15 6.5

LAH313  A.14 6.5

	MF = Mill Finish KL = Basic Colour
--	---------------------------------------

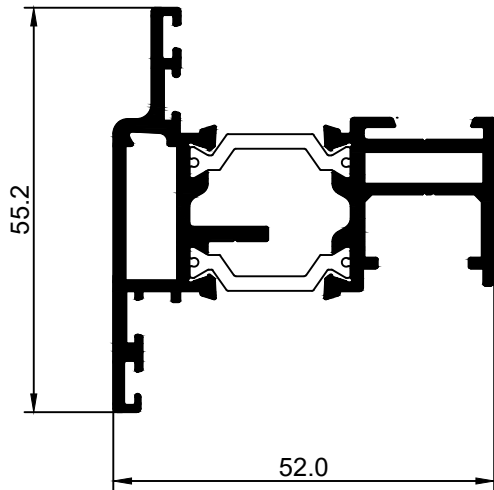


Name	LAH01
Description	Standard 47mm Outer Frame
Weight Kg	4.97
Perimeter mm	217
Ix (cm4)	-8.6258 5901
Iy (cm4)	-1.3068 1701

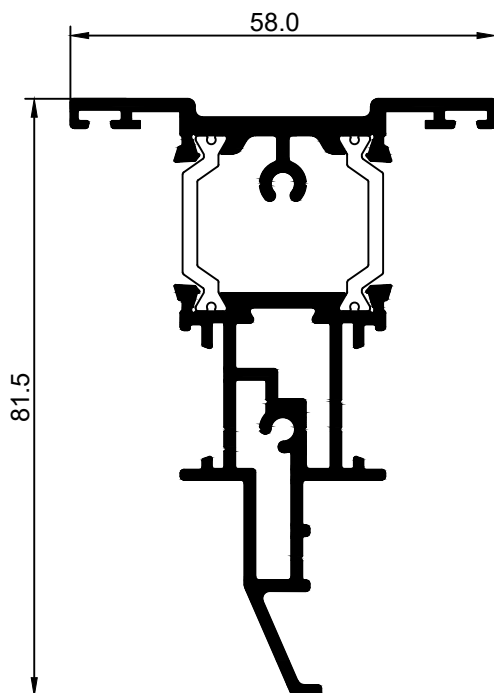


Name	LAH111
Description	Window Sash
Weight Kg	5.68
Perimeter mm	263
Ix (cm4)	-10.4976 8546
Iy (cm4)	-2.6406 1360

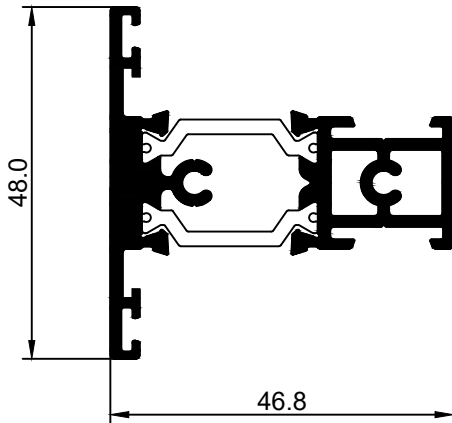
Note: Standard Extruded Frame Length 6500mm



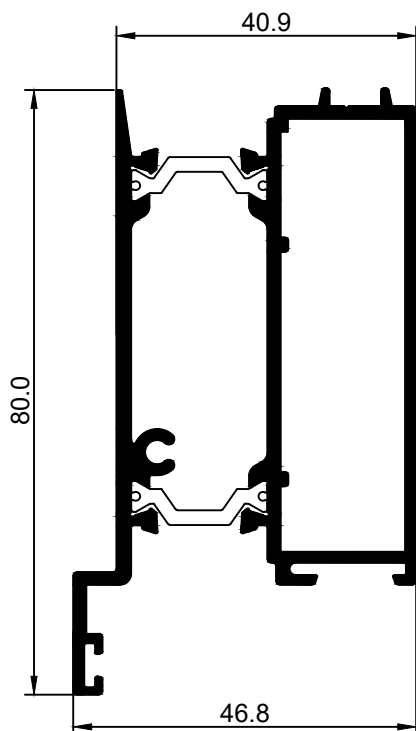
<b>Name</b>	<b>LAH121</b>
Description	Door Sash
Weight Kg	7.03
Perimeter mm	305
Ix (cm4)	-13.3301 6902
Iy (cm4)	-5.4842 0394



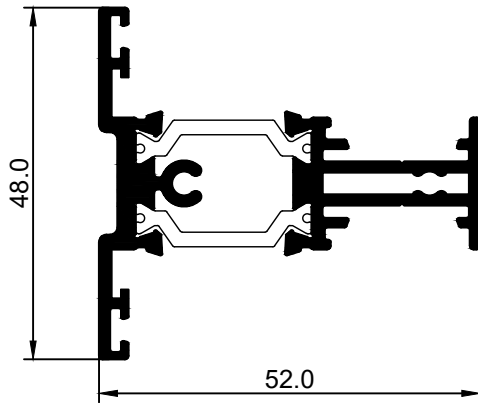
<b>Name</b>	<b>LAH312</b>
Description	Wide Transom with Drip
Weight Kg	9.11
Perimeter mm	370
Ix (cm4)	-7.3872 0627
Iy (cm4)	-30.2168.2677



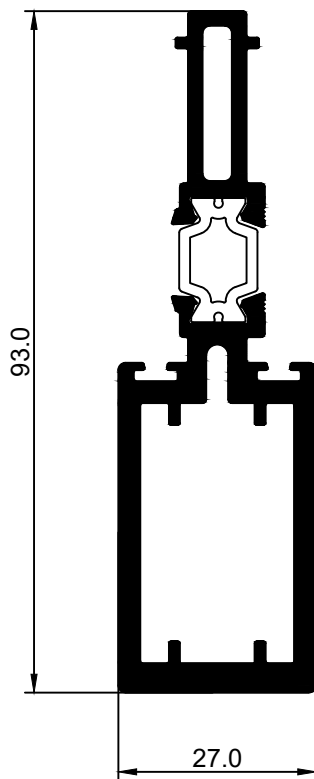
<b>Name</b>	<b>LAH321</b>
Description	Window Vent/Door Sash Transom
Weight Kg	6.36
Perimeter mm	254
Ix (cm4)	-10.8178 4396
Iy (cm4)	-3.3875 3054



<b>Name</b>	<b>LAH322</b>
Description	Door Lock Housing
Weight Kg	9.37
Perimeter mm	328
Ix (cm4)	-12.7993 3866
Iy (cm4)	-33.5533 3099

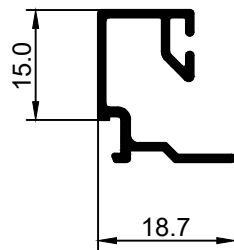


<b>Name</b>	<b>LAH311</b>
Description	Outerframe Transom
Weight Kg	5.85
Perimeter mm	283
Ix (cm4)	-11.6259 6448
Iy (cm4)	-3.2188 1514

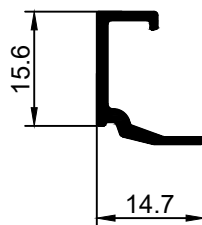


<b>Name</b>	<b>LAH-BB</b>
Description	8mm Coupler
Weight Kg	11.53
Perimeter mm	273
Ix (cm4)	-4.8454 4451
Iy (cm4)	-52.6732 1283

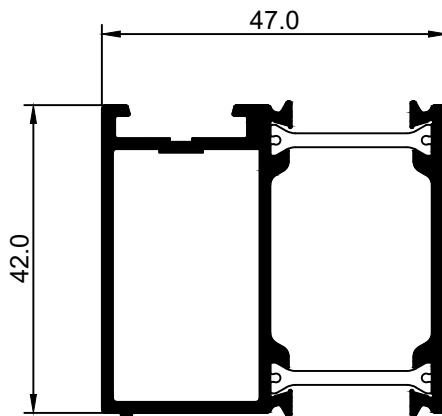




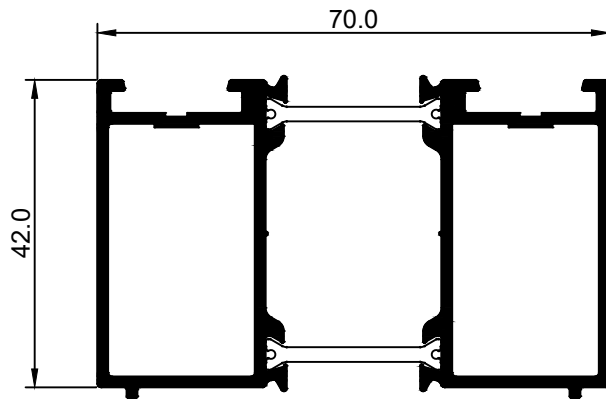
Name	LAH221
Description	28mm External Glazing Bead
Weight Kg	1.23
Perimeter mm	132
Ix (cm4)	-0.1706 1345
Iy (cm4)	-0.3981 6152



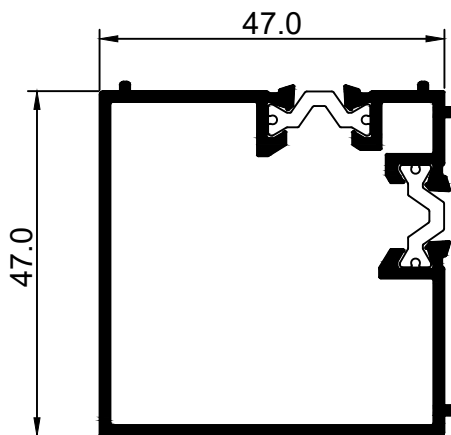
Name	LAH211
Description	28mm Internal Glazing Bead
Weight Kg	0.92
Perimeter mm	77
Ix (cm4)	-0.0580 7527
Iy (cm4)	-0.2401 1775



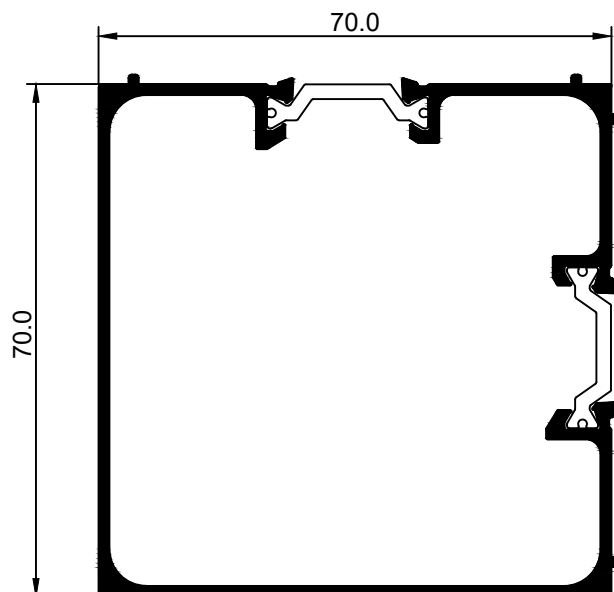
Name	LAH422
Description	42mm Head Extension
Weight Kg	6.01
Perimeter mm	216
Ix (cm4)	-11.3215 7988
Iy (cm4)	-9.6787 2737



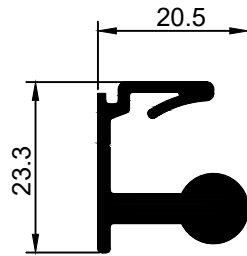
<b>Name</b>	<b>LAH421</b>
Description	70mm Head Extension
Weight Kg	8.10
Perimeter mm	279
Ix (cm4)	-26.7143 2434
Iy (cm4)	-13.1142 5469



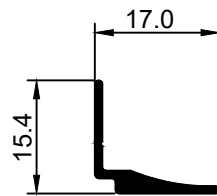
<b>Name</b>	<b>LAHCP2</b>
Description	47mm Corner Post
Weight Kg	5.93
Perimeter mm	199
Ix (cm4)	-11.0798 8557
Iy (cm4)	-12.7352 3396



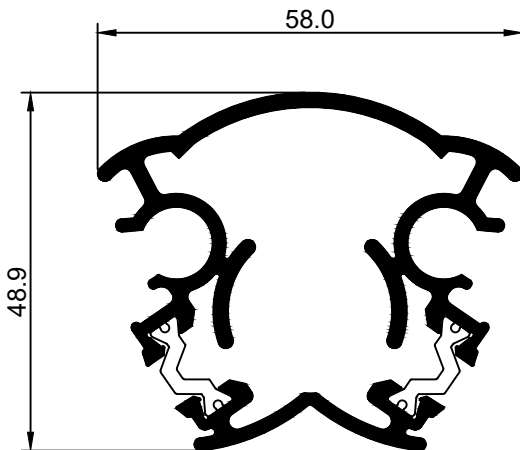
<b>Name</b>	<b>LAHCP1</b>
Description	70mm Corner Post
Weight Kg	7.92
Perimeter mm	291
Ix (cm4)	-37.7919 6978
Iy (cm4)	-40.4298 2508



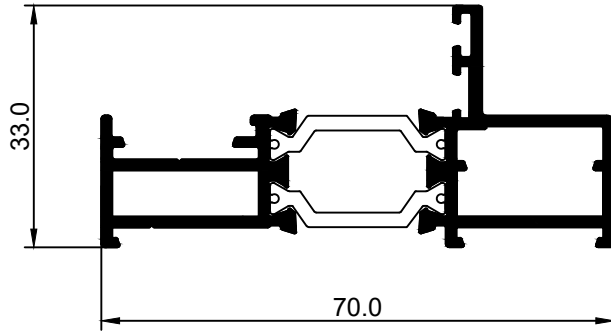
Name	LAH066
Description	111°,135°,157° Bay Pole Adaptor
Weight Kg	3.13
Perimeter mm	130
Ix (cm4)	-
Iy (cm4)	-



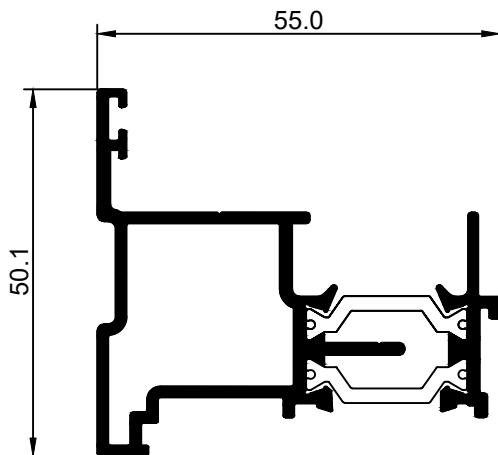
Name	LAH065
Description	111°,135°,157° Bay Pole Adaptor
Weight Kg	0.72
Perimeter mm	62
Ix (cm4)	-
Iy (cm4)	-



Name	LAH069
Description	111°,135°,157° Bay Pole
Weight Kg	8.90
Perimeter mm	264
Ix (cm4)	-
Iy (cm4)	-



Name	LAH02
Description	70mm Outer Frame
Weight Kg	6.32
Perimeter mm	263
Ix (cm4)	-16.8955 8638
Iy (cm4)	-2.0623 0188



Name	LAH313
Description	Passive Door Adaptor
Weight Kg	8.27
Perimeter mm	284
Ix (cm4)	-4.8934 0110
Iy (cm4)	-15.3143 5427



**Section B**

**Accessories/ Hardware Drawings**

